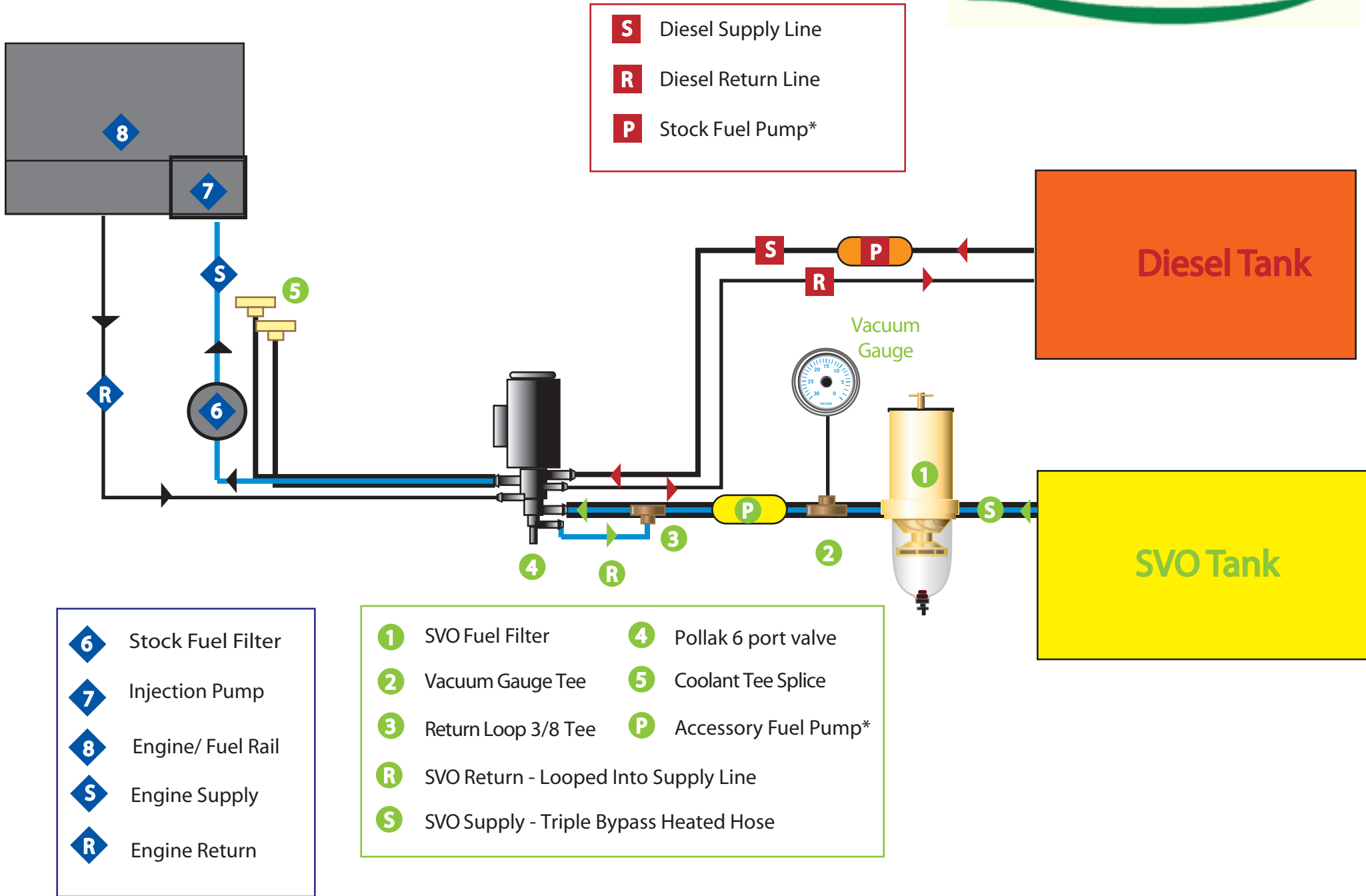


# 2000 - Older GMC/Chevy 6.5L Pollak Plumbing



\*The two pumps must be wired to turn on/off on their respective fuels.