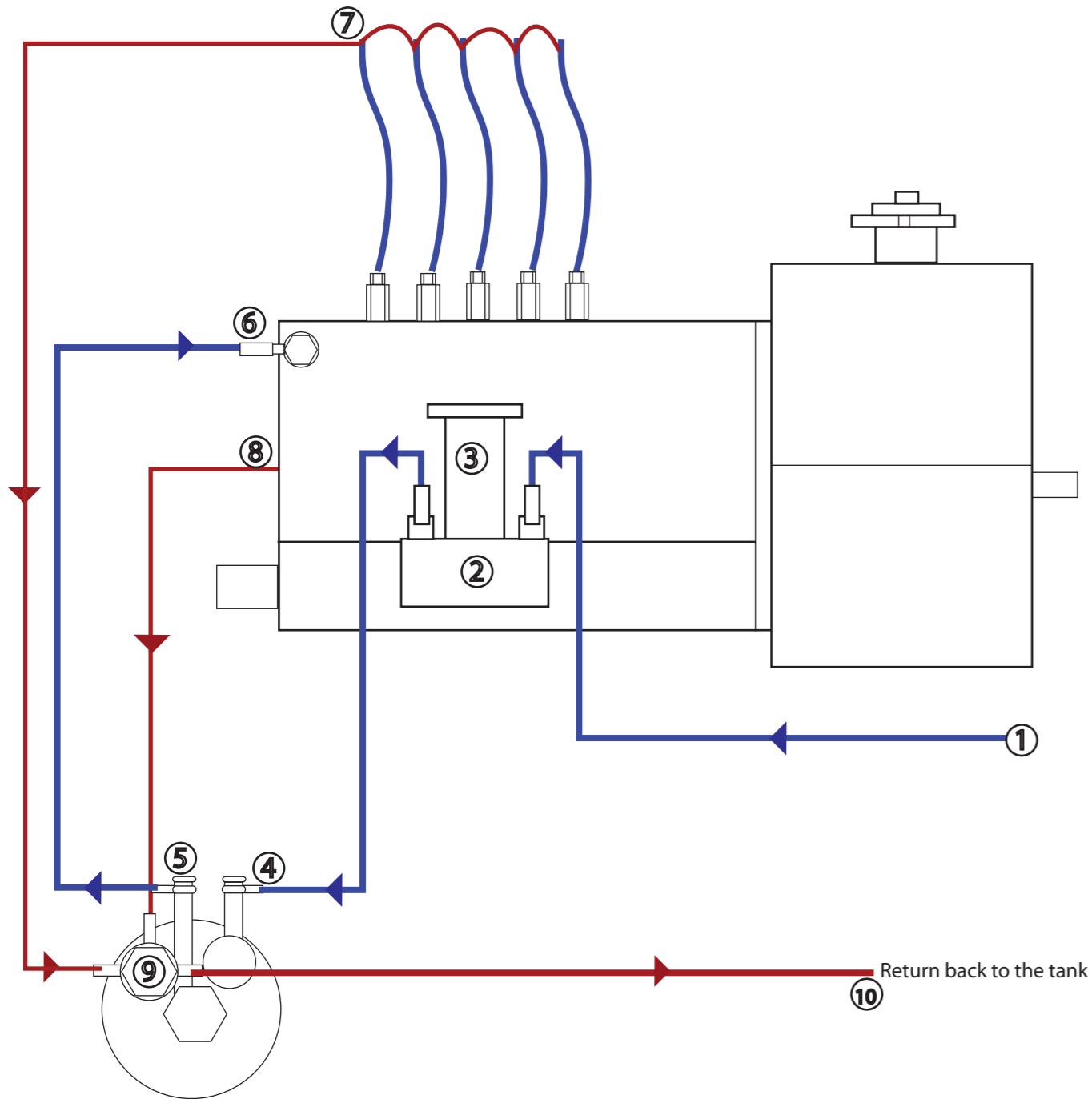
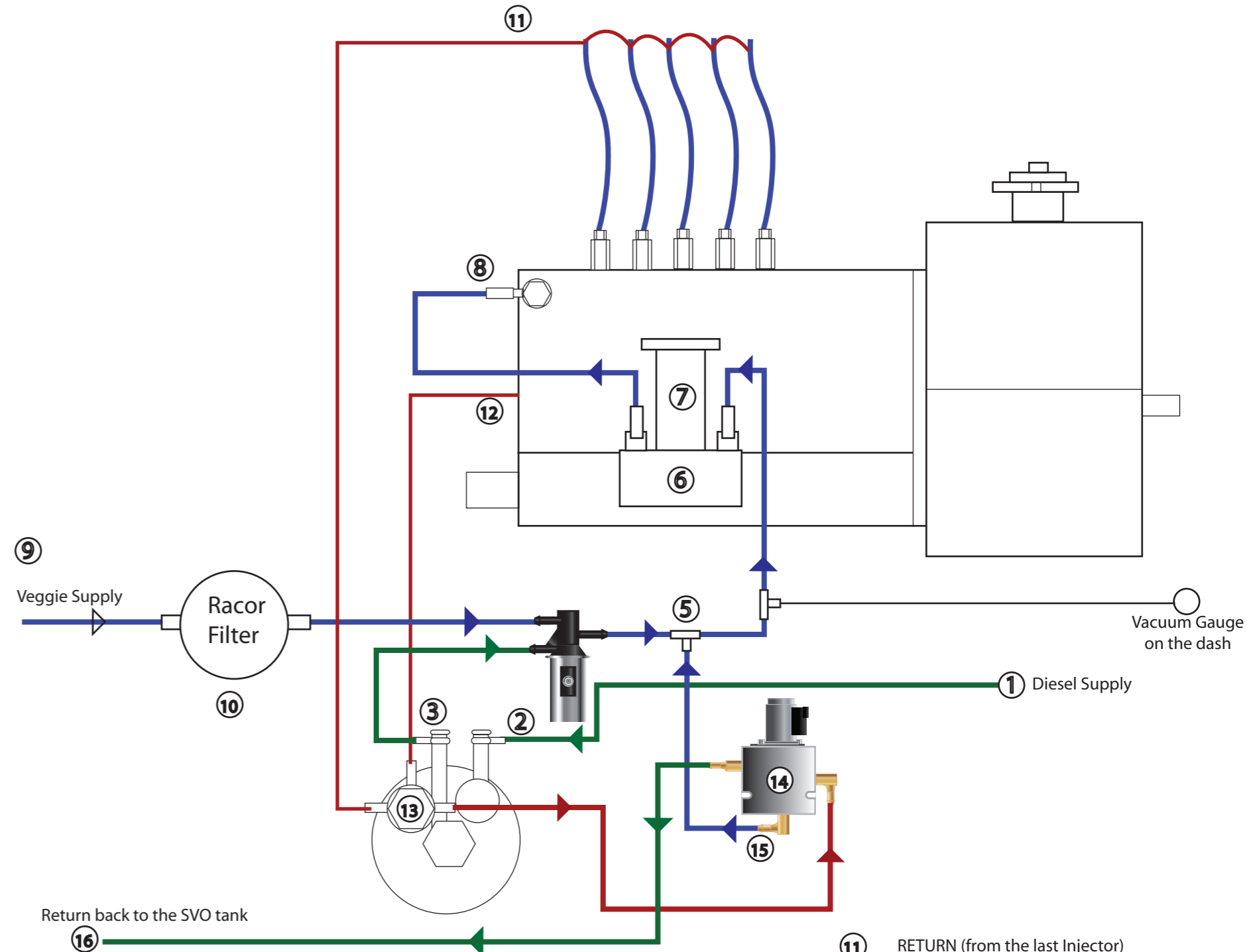


## STOCK Plumbing



- ① Diesel Supply
- ② Fuel Pump
- ③ Hand Primer
- ④ IN Stock Filter
- ⑤ OUT Stock Filter
- ⑥ Injection Pump Inlet
- ⑦ RETURN (from the last Injector)
- ⑧ RETURN (from back of the Injection pump)
- ⑨ RETURN (Banjo bolt)
- ⑩ RETURN back to the tank

## GOLDEN FUEL SYSTEM Plumbing



- ① Diesel Supply
- ② IN Diesel/ Stock Filter
- ③ OUT Diesel/ Stock Filter
- ④ Supply Valve
- ⑤ Tee (for the loop)
- ⑥ Fuel Pump
- ⑦ Hand Primer
- ⑧ Injection Pump Inlet
- ⑨ Veggie Supply
- ⑩ Veggie Filter (RACOR AQUABLOC)
- ⑪ RETURN (from the last Injector)
- ⑫ RETURN (from back of the Injection pump)
- ⑬ \*\* RETURN, Replace the banjo bolt with the replacement bolt provided with the system.
- ⑭ Return Valve
- ⑮ RETURN LOOP to the Supply
- ⑯ RETURN back to the SVO tank